

## SMD屏蔽功率电感

### 机械尺寸Mechanical: (UNIT: mm)

Figure 1

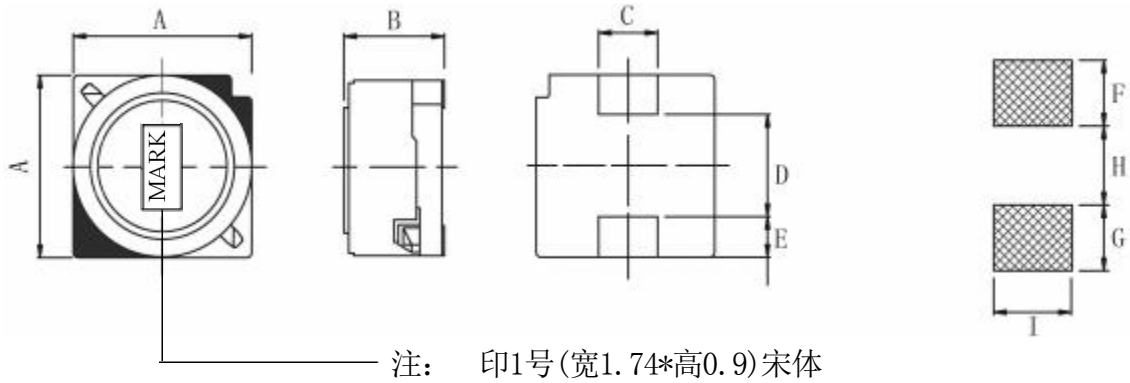
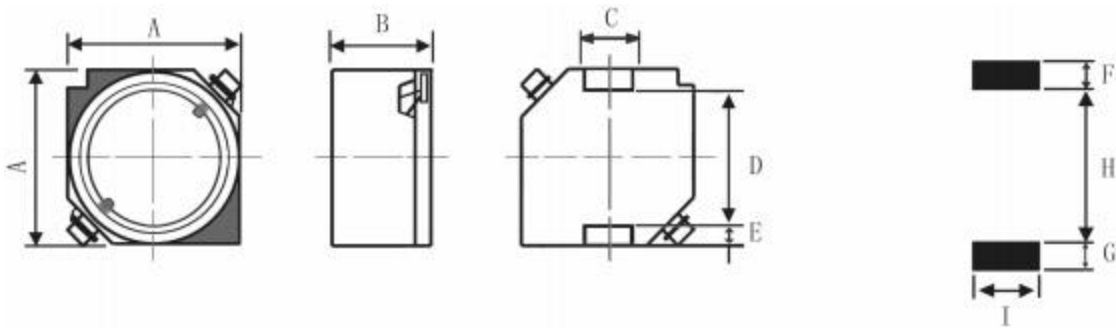


Figure 2



TYPE	A (max)	B(max)	C	D	E	F	G	H	I	Figure
BF6028	6.2	3.0	2.0	3.0	1.5	2.0	2.0	2.5	2.2	1
BF7025	7.2	2.8	2.0	4.0	1.5	2.0	2.0	3.5	2.2	2
BF7032	7.2	3.4	2.0	4.0	1.5	2.0	2.0	3.5	2.2	2
BF7045	7.2	4.8	2.0	4.0	2.0	2.0	2.0	3.5	2.2	2
BF1045	10.4	4.8	3.0	6.0	2.0	2.5	2.5	5.6	3.2	2

### 电气特性

PART No.	NOMINAL INDUCTANCE (uH)	DCR (Ω)MAX	IDC (A)MAX
BF6028-1R2N	1.2	21.00m	2.25
BF6028-2R5N	2.5	24.00m	1.80
BF6028-3R9N	3.9	34.00m	1.38
BF6028-4R7N	4.7	42.00m	1.30
BF6028-5R6N	5.6	49.00m	1.10

BF6028-6R8N	6.8	65.00m	1.00
BF6028-100M	10	94.00m	810m
BF6028-150M	15	124.00m	700m
BF6028-220M	22	182.00m	550m
BF6028-330M	33	254.00m	450m
BF6028-470M	47	338.00m	350m
BF6028-680M	68	507.00m	315m
BF6028-101M	100	897.00m	247m
BF6028-151M	150	1.17	216m
BF6028-221M	220	1.56	185m
BF6028-331M	330	2.44	150m
BF6028-471M	470	3.38	125m
BF6028-681M	680	4.55	100m
BF6028-102M	1000	7.02	82m
PART No.	NOMINAL INDUCTANCE ( uH )	DCR ( $\Omega$ )MAX	IDC (A)MAX
BF7025-1R5N	1.5	22.00m	2.50
BF7025-1R8N	1.8	26.00m	2.30
BF7025-2R5N	2.5	30.00m	2.00
BF7025-3R3N	3.3	35.00m	1.70
BF7025-4R7N	4.7	46.00m	1.30
BF7025-6R8N	6.8	60.00m	1.10
BF7025-100M	10	90.00m	1.05
BF7025-120M	12	107.00m	850m
BF7025-150M	15	146.00m	780m
BF7025-180M	18	163.00m	680m
BF7025-220M	22	179.00m	630m
BF7025-270M	27	231.00m	580m
BF7025-330M	33	273.00m	520m
BF7025-390M	39	309.00m	480m
BF7025-470M	47	364.00m	460m
BF7025-560M	56	403.00m	380m

BF7025-680M	68	507.00m	360m
BF7025-820M	82	611.00m	330m
BF7025-101M	100	754.00m	310m
BF7025-121M	120	858.00m	290m
BF7025-151M	150	1.12	260m
BF7025-181M	180	1.29	230m
BF7025-221M	220	1.69	210m
BF7025-271M	270	2.25	180m
BF7025-331M	330	2.60	170m
BF7025-391M	390	2.93	150m
BF7025-471M	470	3.77	140m
BF7025-561M	560	4.16	130m
BF7025-681M	680	4.68	120m
BF7025-821M	820	6.24	110m
<b>PART No.</b>	<b>NOMINAL INDUCTANCE ( uH )</b>	<b>DCR (<math>\Omega</math>)MAX</b>	<b>IDC (A)MAX</b>
BF7032-1R0N	1.0	13.00m	3.15
BF7032-1R5N	1.5	17.00m	2.88
BF7032-2R2N	2.2	21.00m	2.70
BF7032-4R7N	4.7	36.00m	2.00
BF7032-6R8N	6.8	44.00m	1.80
BF7032-100M	10	69.00m	1.35
BF7032-120M	12	78.00m	1.25
BF7032-150M	15	101.00m	1.10
BF7032-180M	18	135.00m	1.00
BF7032-220M	22	156.00m	900m
BF7032-270M	27	182.00m	850m
BF7032-330M	33	208.00m	750m
BF7032-390M	39	234.00m	680m
BF7032-470M	47	299.00m	600m
BF7032-560M	56	332.00m	558m
BF7032-680M	68	436.00m	500m
BF7032-820M	82	514.00m	460m

BF7032-101M	100	592.00m	420m
BF7032-121M	120	748.00m	400m
BF7032-151M	150	878.00m	380m
BF7032-181M	180	982.00m	360m
BF7032-221M	220	1.50	320m
BF7032-271M	270	1.69	290m
BF7032-331M	330	1.95	260m
BF7032-391M	390	2.25	240m
BF7032-471M	470	2.60	220m
BF7032-561M	560	3.62	200m
BF7032-681M	680	4.16	180m
BF7032-821M	820	5.46	160m
BF7032-102M	1000	6.37	150m
PART No.	NOMINAL INDUCTANCE ( uH )	DCR ( $\Omega$ )MAX	IDC (A)MAX
BF7045-1R0N	1.0	15.00m	3.00
BF7045-1R8N	1.8	18.00m	2.60
BF7045-2R2N	2.2	20.00m	2.40
BF7045-4R7N	4.7	33.00m	2.00
BF7045-100M	10	52.00m	1.70
BF7045-120M	12	58.00m	1.55
BF7045-150M	15	70.00m	1.40
BF7045-180M	18	78.00m	1.30
BF7045-220M	22	86.00m	1.20
BF7045-270M	27	111.00m	1.10
BF7045-330M	33	125.00m	1.03
BF7045-390M	39	137.00m	930m
BF7045-470M	47	156.00m	850m
BF7045-560M	56	208.00m	750m
BF7045-680M	68	254.00m	680m
BF7045-820M	82	273.00m	600m
BF7045-101M	100	319.00m	530m

BF7045-121M	120	432.00m	450m
BF7045-151M	150	501.00m	400m
BF7045-181M	180	715.00m	380m
BF7045-221M	220	813.00m	330m
BF7045-271M	270	904.00m	300m
BF7045-331M	330	1.01	270m
BF7045-391M	390	1.37	260m
BF7045-471M	470	1.56	250m
BF7045-561M	560	1.76	230m
BF7045-681M	680	2.86	210m
BF7045-821M	820	3.25	190m
BF7045-102M	1000	3.77	170m
PART No.	NOMINAL INDUCTANCE ( uH )	DCR ( $\Omega$ )MAX	IDC (A)MAX
BF1045-1R0N	1.0	13.00m	4.20
BF1045-1R5N	1.5	15.00m	4.00
BF1045-3R3N	3.3	20.00m	3.50
BF1045-3R9N	3.9	26.00m	3.30
BF1045-4R7N	4.7	30.00m	3.20
BF1045-5R6N	5.6	39.00m	3.00
BF1045-6R8N	6.8	41.00m	2.80
BF1045-100M	10	47.00m	2.50
BF1045-150M	15	62.00m	2.20
BF1045-220M	22	76.80m	1.90
BF1045-330M	33	105.00m	1.70
BF1045-470M	47	130.00m	1.50
BF1045-680M	68	182.00m	1.30
BF1045-101M	100	260.00m	1.00
BF1045-151M	150	455.00m	790m
BF1045-221M	220	611.00m	650m
BF1045-331M	330	884.00m	540m
BF1045-471M	470	1.34	470m